

# Electro-Pack Vertical Mounting EP-250

P-1388  
819-0136

## Installation Instructions

The 5103-101-006 spring kit is used for converting a standard horizontal mounted EP-250 to a vertical mounted\* EP-250. The conversion consists of removing the standard Autogap™ components from the armature assemblies and replacing them with the spring included in the 5103-101-006 kit. Proceed with the conversion as follows:

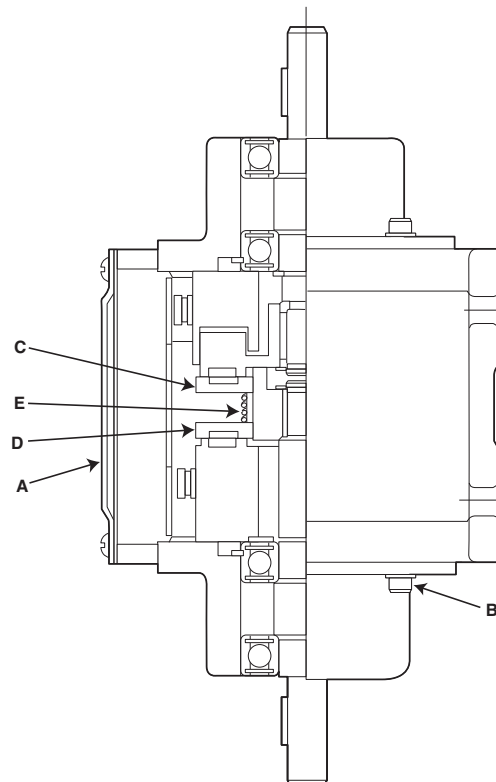
1. Remove cover "A" by removing the four retaining screws at the top of the unit.
2. Remove the four socket head capscrews "B" from the output endbell (brake end).
3. Remove the output endbell assembly, and then remove armatures "C" and "D" from the splined hub on the output shaft.
4. Remove the three Phillips head screws and the Autogap™ components from the back side of armatures "C" and "D".
5. Place armature "D" onto the splined hub with the friction face oriented toward the brake magnet face.
6. Place spring "E" (included with the kit) over the splined hub and against the back of armature "D".
7. Place armature "C" onto the splined hub and against spring "E" with the friction face oriented away from spring "E".
8. Reinstall the output endbell assembly into the main housing and secure the assembly with the four socket head cap screws tightened to 46 in.lbs. torque.

9. Once assembled, the armatures should be positioned against the respective clutch and brake faces. Check input and output shafts for freedom of rotation. A small amount of drag is normal after the spring has been installed.

10. Replace cover "A" and the four retaining screws.

The Electro-Pack is now ready for vertical installation.

**\*Note:** Vertically mounted Electro-Packs may be positioned with the input shaft up or down. The spring included in this accessory kit will hold the armatures in position.



## Warranty

Warner Electric LLC warrants that it will repair or replace (whichever it deems advisable) any product manufactured and sold by it which proves to be defective in material or workmanship within a period of one (1) year from the date of original purchase for consumer, commercial or industrial use.

This warranty extends only to the original purchaser and is not transferable or assignable without Warner Electric LLC's prior consent.

Warranty service can be obtained in the U.S.A. by returning any defective product, transportation charges prepaid, to the appropriate Warner Electric LLC factory. Additional warranty information may be obtained by writing the Customer Satisfaction Department, Warner Electric LLC, 449 Gardner Street, South Beloit, Illinois 61080, or by calling 815-389-3771.

A purchase receipt or other proof of original purchase will be required before warranty service is rendered. If found defective under the terms of this warranty, repair or replacement will be made, without charge, together with a refund for transportation costs. If found not to be defective, you will be notified and, with your consent, the item will be repaired or replaced and returned to you at your expense.

This warranty covers normal use and does not cover damage or defect which results from alteration, accident, neglect, or improper installation, operation, or maintenance.

Some states do not allow limitation on how long an implied warranty lasts, so the above limitation may not apply to you.

Warner Electric LLC's obligation under this warranty is limited to the repair or replacement of the defective product and in no event shall Warner Electric LLC be liable for consequential, indirect, or incidental damages of any kind incurred by reason of the manufacture, sale or use of any defective product. Warner Electric LLC neither assumes nor authorizes any other person to give any other warranty or to assume any other obligation or liability on its behalf.

WITH RESPECT TO CONSUMER USE OF THE PRODUCT, ANY IMPLIED WARRANTIES WHICH THE CONSUMER MAY HAVE ARE LIMITED IN DURATION TO ONE YEAR FROM THE DATE OF ORIGINAL CONSUMER PURCHASE. WITH RESPECT TO COMMERCIAL AND INDUSTRIAL USES OF THE PRODUCT, THE FOREGOING WARRANTY IS IN LIEU OF AND EXCLUDES ALL OTHER WARRANTIES, WHETHER EXPRESSED OR IMPLIED BY OPERATION OF LAW OR OTHERWISE, INCLUDING, BUT NOT LIMITED TO, ANY IMPLIED WARRANTIES OF MERCHANTABILITY OR FITNESS.

Some states do not allow the exclusion or limitation of incidental or consequential damages, so the above limitation or exclusion may not apply to you. This warranty gives you specific legal rights and you may also have other rights which vary from state to state.

### **Changes in Dimensions and Specifications**

All dimensions and specifications shown in Warner Electric catalogs are subject to change without notice. Weights do not include weight of boxing for shipment. Certified prints will be furnished without charge on request to Warner Electric.



**Warner Electric LLC**  
449 Gardner Street • South Beloit, IL 61080  
815-389-3771 • Fax: 815-389-2582  
www.warnerelectric.com  
**An Altra Industrial Motion Company**